

# Engage your consumer

# Promote your business

A complete M2M telemetry and cashless payment solution ideally suited for unattended machines in multiple markets

One device that accepts all cashless payments and transmits data in real time

- ▶ Debit and Credit Cards
- ▶ Mobile and NFC Payments
- ▶ Prepaid cards and closed environment solutions
- ▶ Swipe, Contact and Contactless
- ▶ QR codes



## 1 Part of a complete solution

- ▶ Seamlessly integrated with telemetry, cashless clearance, monitoring, management and BI
- ▶ Monitor machines in real-time with continuously updated information on all aspects of operation
- ▶ Inventory, cash monitoring, alerts and reports
- ▶ Switch to technician mode to monitor visits

## 2 Communicate with your consumers

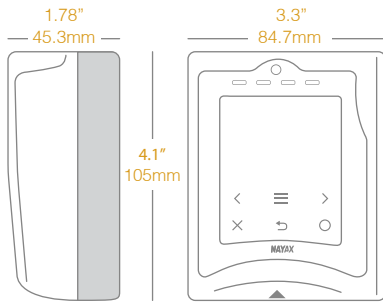
- ▶ Voice interaction, in local language
- ▶ Multi-language display capability
- ▶ Enables mobile payments and NFC
- ▶ Customizable color touchscreen

## 3 Marketing and loyalty promotions

- ▶ Increase consumer engagement
- ▶ Boost sales for regular customers
- ▶ Punch cards, discounts, gamification and more

## 4 Plug and play

- ▶ Easy to install
- ▶ Remote software updates
- ▶ Durable and highly secured to prevent vandalism
- ▶ Applicable to all automated machines



**A complete payment solution and remote secure terminal for unattended automated machine operators.**

**Benefit from easy installation, clearance, monitoring and management.**

Installation Environment	
Operating Temperature	-20°C to +55°C / -4°F to +131°F
Storage Temperature	-30°C to +85°C / -22°F to +185°F
Humidity	25% to 95% (non-condensing)
Dust & Water Resistance	IP 55
Flammability	UL-94 V0
Safety	CE, FCC, RoHS

Physical Dimensions	
Height	105 mm / 4.1 inch
Width	84.7 mm / 3.3 inch
Depth	45.3 mm / 1.78 inch
Weight	230 grams / 8.1 ounces

Interface & Management	
Display	Color Touch LCD screen 2.4 inch, 320 x 240 Pixels + 4 LEDs + 6 touch buttons
Architecture	ARM Technology – 2xCortex, 32 bit, 180/216MHz
Audio	Speaker + Buzzer
Localization	Multi language support - LCD text & voice audio instructions
Security	Support DES, 3DES, AES, RSA, ECC, SHA1 algorithms, Random Number Generator
Power Supply	12-42V DC, 12-24V AC; 5 Watts, Recommended External Power Supply: 24V DC / 2Amp.
Anti-vandal	Internal shock/tilt detector, anti-vandal Dragontrail glass
Power Loss Protection	Super Caps with safe shutdown mechanism
External Interface	Ethernet, 2 X RS232 (RS232 or TTL level through SW), External reader, 1 X Door open sensor , 1 X Temperature sensor
Pulse Input/Output	6 pulse input/output interfaces + 1 Inhibit input
Communication	3G/4G/Ethernet/NFC
Machine Protocols	MDB / DEX / DDCMP / Pulse / VCCS / ccTalk / JVMA

Payment Support		
Contact	EMV Level 1 , EMV Level 2	Contactless Level 2: Visa payWave, MasterCard PayPass, Interac Flash, UnionPay qPBOC, AMEX ExpressPay, JCB J/Speedy, FeliCa, Interac Flash, , Discover D-PAS, CUP QuickPass, SuiCa
Magnetic Stripe	ISO 7811 and JIS I Tracks 1,2,3 JIS I	
Other Cards Supported	13.56 MHz : NFC, MIFARE, ISO 14443 Type A and B, ISO 15693, SONY® FeliCa	

**La oss hjelpe deg med å øke fortjenesten.**  
**Kontakt oss i dag.**

www.ebs-as.no | Elektroniske Betalings Systemer AS, Glynitveien 21, 1400 Ski  
 +47 66 80 20 tastevalg 1 | post@ebs-as.no | Org.nr. 980 270 297 |